



Fire-Lite® Alarms
INCORPORATED

January 20, 1997

E-400

BG-10LX

Addressable Manual Pull Station

Section: Addressable Devices

GENERAL

The BG-10LX is an addressable manual pull station with a key-lock reset feature. It provides the MS-9200 with one addressable alarm initiating input.

FEATURES

- Within ADA 5 lb. pull force when used without break-tube (models manufactured after 10-1-96, identified by an ⊗ under station spring).
- Highly visible.
- Easily operated (dual-action).
- Attractive shape and textured finish.
- Semi-flush, mounts to a standard single-gang (2.125" minimum depth), double-gang, or 4" square electrical box.
- Operates with or without a crush tube.
- Handle latches in the down position to clearly indicate the station has been operated.
- Key reset.
- Screw terminals for easy connection to SLC Loop Channel.
- Optional trim ring.

CONSTRUCTION

- Shell, door, and handle are molded of durable LEXAN® (or polycarbonate equivalent) with a textured finish.
- 16 gauge steel back plate.

OPERATION

Pulling the handle down causes it to latch in the down position. The handle is restored manually by using a mechanical key which allows the top of the case to pivot forward and the spring-loaded handle to return to its normal position. The case can then be pivoted back to its normal position and secured with the key.

Each manual station, on command from the control panel, sends data to the panel representing the state of the manual switch. A pair of rotary decimal switches allows two-digit address setting.

PRODUCT LINE INFORMATION

Model	Description
BG-TR	Optional trim ring. 6-1/2" High, 5-1/8" Wide, 5/32" Deep.
SB-10	Surface backbox.

LEXAN® is a registered trademark of GE Plastics, a subsidiary of General Electric Company.



S711



0X9A3.AY



California
State Fire
Marshal

7150-0075:103

ADA



INSTALLATION

The BG-10LX will mount semi-flush into a single-gang, double-gang, or standard 4" square electrical outlet box, or will surface mount into the Model SB-10 surface backbox. If the BG-10LX is being semi-flush mounted, then the optional trim ring (BG-TR) may be used. The BG-TR is usually needed for semi-flush mount with 4" or double-gang boxes (not with single-gang boxes).

ELECTRICAL SPECIFICATIONS

Normal operating voltage: 24 VDC.

Maximum SLC loop voltage: 28.0 VDC.

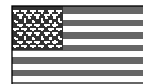
Maximum SLC loop current: 230 µA.

This document is not intended to be used for installation purposes. We try to keep our product information up-to-date and accurate. We cannot cover all specific applications or anticipate all requirements. All specifications are subject to change without notice. For more information, contact Fire-Lite. Phone: (203) 484-7161 FAX: (203) 484-7118



12 Clintonville Road, Northford, Connecticut 06472

ISO-9001
Engineering and Manufacturing
Quality System Certified to
International Standard ISO-9001



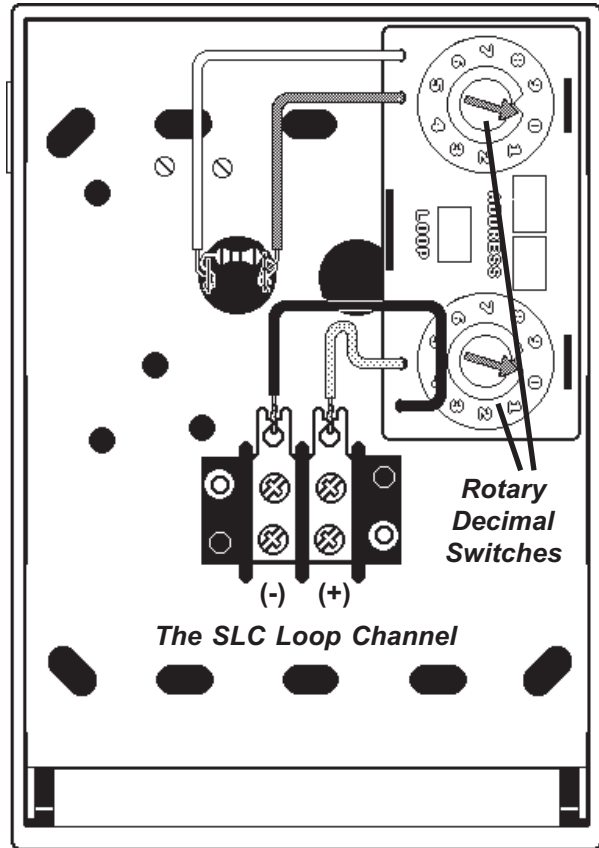
Made in the U.S.A.

ARCHITECTURAL/ ENGINEERING SPECIFICATIONS

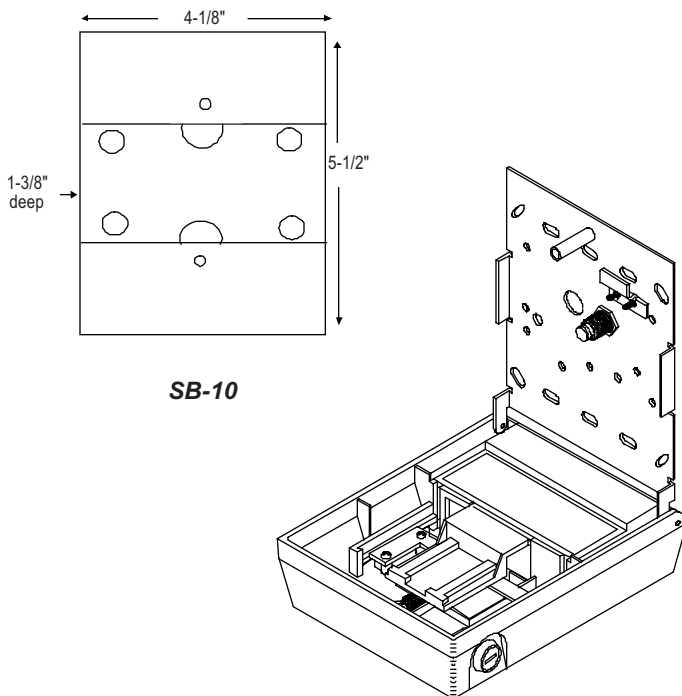
Manual Fire Alarm Stations shall be addressable, fiber break-tube (or non-fiber break-tube) type, equipment with a key-operated test-reset lock in order that they may be tested, and so designed that after emergency operation, they cannot be restored to normal except by using a key. An operated station shall automatically condition itself so as to be visually detected, as operated, at a minimum distance of one hundred feet, front or side.

Manual stations shall connect with two wires to the control panel SLC loop. The manual station shall, on command from the control panel, send data to the panel representing the state of the manual switch. Manual stations shall provide two-digit address setting by use of rotary decimal switches.

Manual stations shall be constructed of LEXAN® (or polycarbonate equivalent) with clearly visible operating instructions provided on the cover. The word FIRE shall appear on the front of the stations in raised letters, 1.75 inches or larger. Stations shall be suitable for surface mounting on matching backbox, or semi-flush mounting on a standard single-gang or double-gang box, or 4 inch square box, and shall be installed within the limits defined by the Americans with Disabilities Act (ADA) dependent on manual station accessibility or per local requirements. Manual stations shall be Underwriters Laboratories Inc. listed.



The BG-10LX (back view)



SB-10

